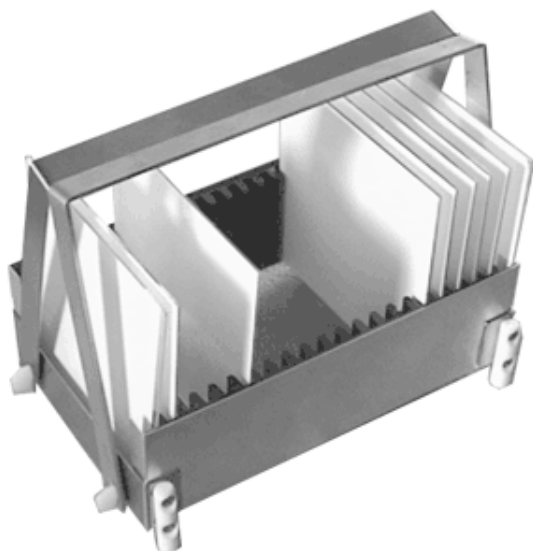


Thin-layer chromatography

The thin-layer chromatography (TLC) is used with pleasure with the progress pursuit of a chemical reaction with which it is often enough to appraise the quantitative proportions. Also the proof of the cleanness of a substance or the examination of the identity with an authoritative substance can be carried out via TLC quickly, without big apparativen expenditure, with low product need and high dividing sharpness.

LABC-Trying-Rack for TLC records

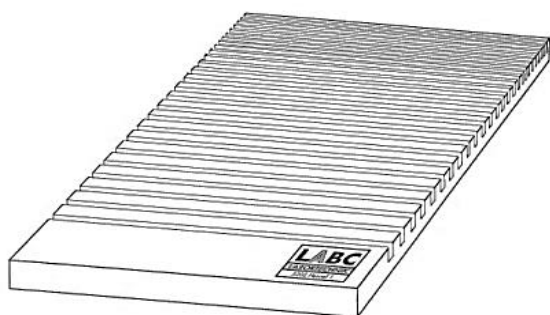


- The trying rack of anodized aluminium, high-grade steel and PTFE can take up to 21 TLC records.
- The vertical storage favours the aerial exchange by convection.
- Feet and side protection from PTFE permit the bringing in of the hot trying rack in glass vessels like Exsikkatoren or in the dry chamber for TLC records.
- Models are available for 20 cm and 10-cm-wide TLC records as well as special dimensions for other record formats.

Trying rack for 10 cm of TLC records:
 Measures (B x H x L): 13 x 14 x 20 cm
No.: 711854

Trying rack for 20 cm of TLC records:
 Measures (B x H x L): 20 x 23 x 22,5 cm
No.: 711855

LABC-TLC-Record-Holder



- Keep from developed TLC records
- From grey PVC, slit and deburred
- Measures (B x H x T): 9.5 x 1.5 x 15 cm

No.: 93046

LABC-Cold-Air-Dryer for TLC records - reproduceable and carefully dry

The thin-layer chromatography (TLC) is a physical-chemical dividing procedure with small apparatus expenditure. The TLC-method delivers a quick result of analysis also for several tests. The high dividing achievement and the low substance consumption are advantageous also. The thin-layer chromatography is used to the quick proof of the cleanness of a substance, the examination of the identity with an authoritative substance or with the clarification by competitive patterns. Also the pursuit of the reaction course of chemical conversions in the lab is slightly possible.



By pull out to the device drawer a TLC record (max. 20 x 20 cm) can be inserted. The drawer is closed again and the net plug is pocketed. The device is put into operation about the green seesaw counter (shines green). About the black step counter the strength of the airflow can be chosen: Step 1: two ventilators / step 2: four ventilators. From above after the introduction the space air is sucked over a fleece filter and the TLC record is dried.

Employment of the LABC-Cold-Air-Dryer:

- to the achievement of very small start spots, one carries several times tiny amounts (in shares run out leave open!) and dries every time with the LABC-Cold-Air-Dryer for TLC records between.
- after the development of a TLC record the run means does not become quickly with cold air evaporated around the spot size of brief or sensitive substances to change.
- for the reproduceable and careful drying of TLC records

Technical dates:

Step 1: two ventilators / step 2: four ventilators
 Operating voltage: 230 V / 50 hertz, 11 watts
 Aerial throughput per ventilator (free-blowing): 59 m³/H
 For record size: max. 20 x 20 cm
 Measures (B x T x H): approx. 23 x 27.5 x 9 cm
 Cable length: approx. 2 m

No.: 711862